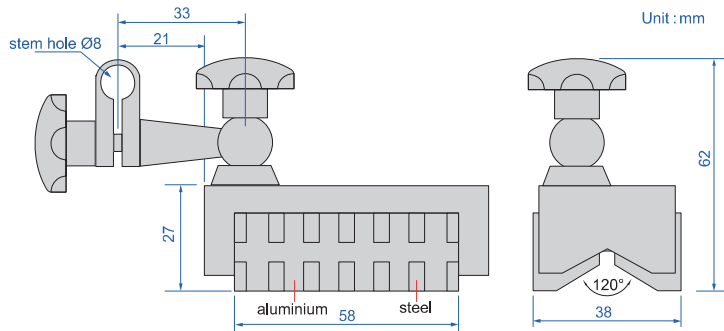


MINI MAGNETIC BASE



6233-12

Code	Magnetic force	Size	applicale holding stem	Remark
6233-12	12kgf	38x58mm	Ø8mm	without dovetail groove